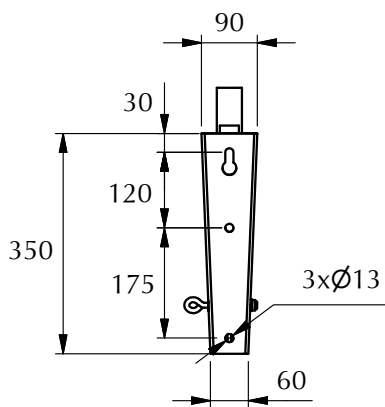
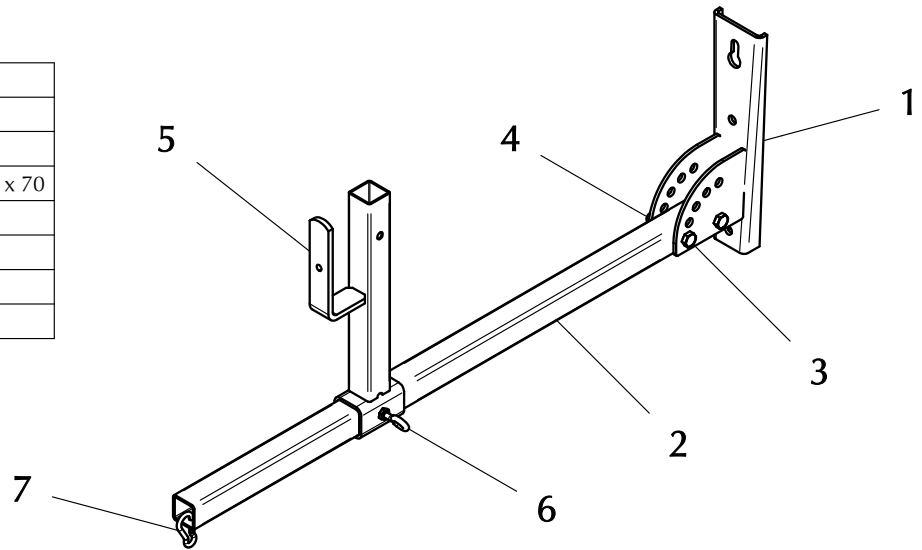


## SMB SYSTEM S

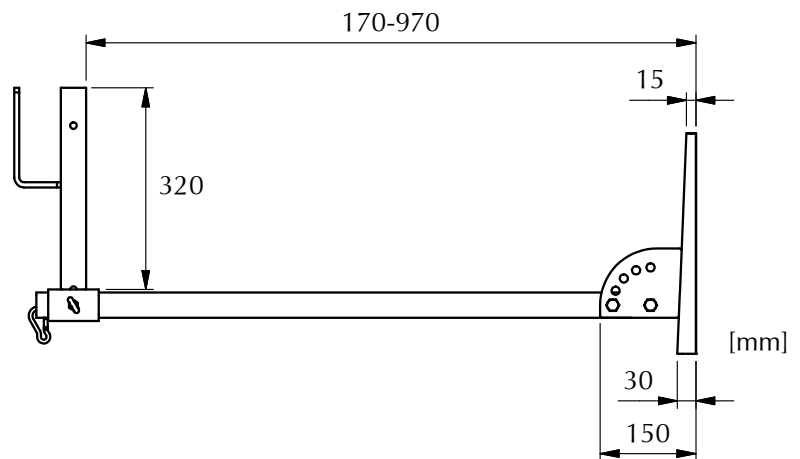
7,6 kg

EN 13374-A-B

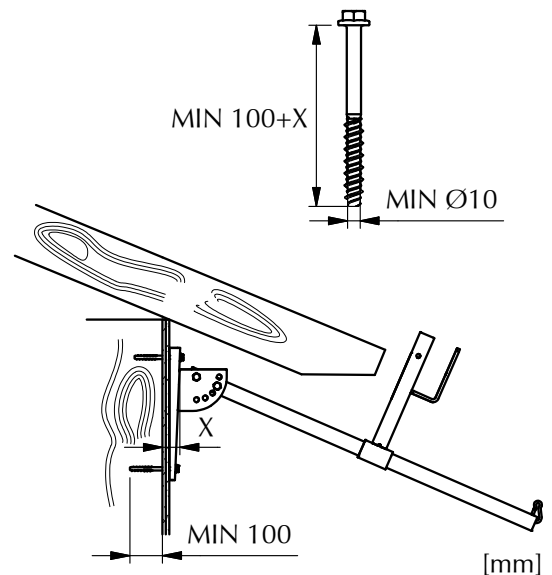
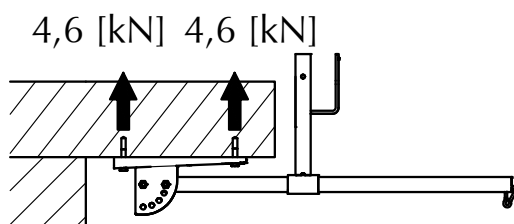
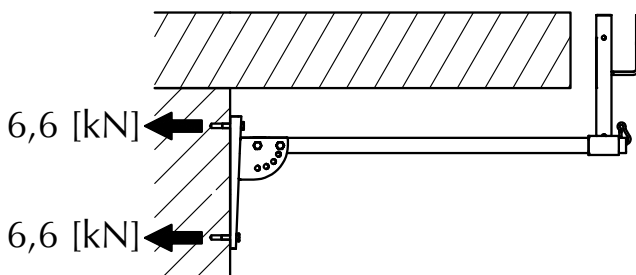
Item	Part number
1	10184
2	10322
3	100297, ISO 4014 - M12 x 70
4	100025, ISO 7040 - M12
5	10055 (100244 included)
6	100244, M8 x 20
7	100029, $\varnothing 6 \times 60$



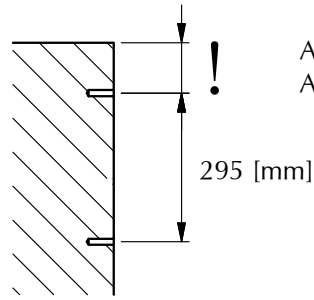
EN 13374 A



EN 13374 B



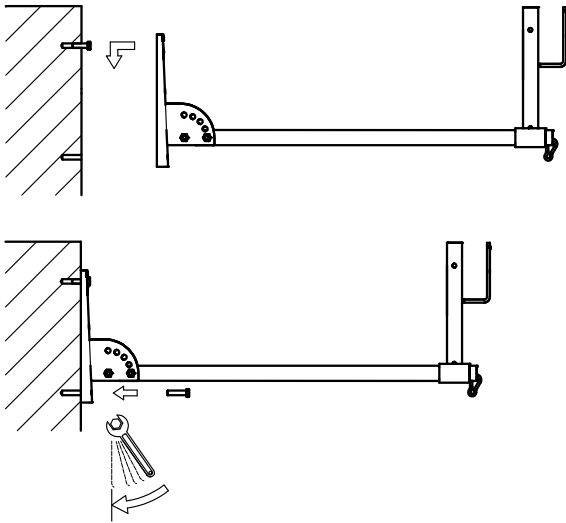
1.



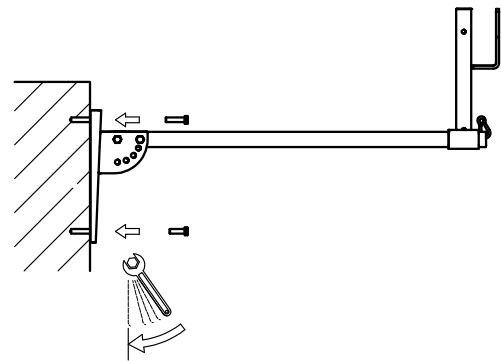
Art. No. 1102/2000: MAX 220 [mm]

Art. No. 1140: MAX 440 [mm]

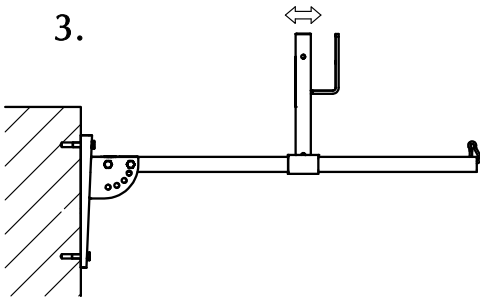
2.A



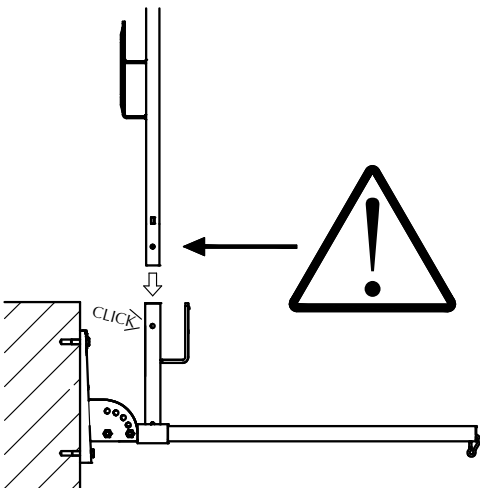
2.B



3.



4.A



4.B

