



Reversible soil compactors

CR 8 / CR 9

**with COMPATROL® 2.0
and MDM – engine protection**

The new premium class: powerful, sturdy, reliable

They raise the bar in the premium class of manually operated soil compactors: CR 8 and CR 9 made by Weber MT.

Their range of application spans from classic earthworks to paving. The balanced operating characteristics, low hand-arm vibrations and ergonomically designed handles allow you to work without getting tired and guarantee a high degree of user comfort.

Handy features include lockable fold-up guide bars, which let operators adjust units to their height, and large lifting eyes, which make it possible to load the vibrating plates in a quick and safe manner.

Besides the standard version with a Hatz engine and electric start, the CR 8 and CR 9 soil compactors are also available in other variations: the "MDM" version with engine protection and the "CCD 2.0" version which includes the engine protection feature as well as the compaction control meter COMPATROL®.

Advantages

- ▶ Great power reserves of the engines. Lower power losses thanks to force transmission by V-belt.
- ▶ Extended service life of the engines thanks to reduced dust in the engine compartment. Aspiration of cooling and combustion air from the operator side.
- ▶ Low maintenance requirements thanks to, e.g., the centrifugal clutch with automatic tensioning feature.
- ▶ Throttle cables safely installed inside the guide bar.
- ▶ Variable working widths thanks to the use of extension plates.
- ▶ E-start is standard.





Special features of the CR 9

- ▶ Infinitely variable, electro-hydraulic tip control.
- ▶ Precise, reliable and convenient switch between forward and reverse travel.
- ▶ In-place compaction.
- ▶ „Safety button“ will switch from reverse to forward travel upon contact.



Unobstructed access to all maintenance points – maintenance cover in the front.



Fully protected engine thanks to protection frame and engine enclosure.

Benefits of the COMPATROL® 2.0 compaction control system CR 8 CCD 2.0 and CR 9 CCD 2.0

- ▶ Weak spots in the soil can be detected and compensated.
- ▶ No unnecessary passes – time and cost savings of up to 25 %.
- ▶ The engine data management system monitors the engine's oil level, the oil temperature and the air filter. The system indicates faults and shuts off the engine if necessary. This helps prevent damage to the engine and the machine.

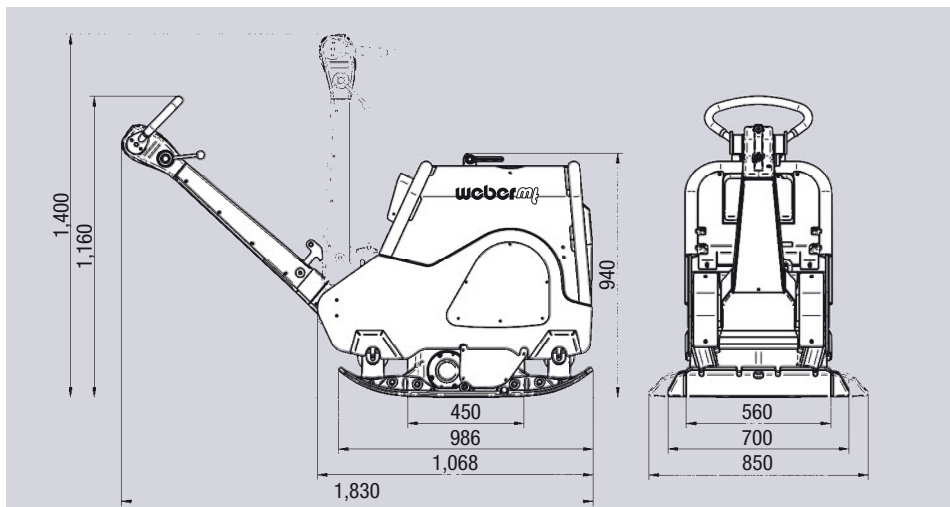


Everything under control: CR 8 and CR 9 with COMPATROL® 2.0 – compaction control system and engine protection.

Technical data

Type		CR 8 CR 8 MDM / CR 8 CCD 2.0	CR 9 CR 9 MDM / CR 9 CCD 2.0
Operating weight CECE	kg (lbs)	601 (1,325) 603 (1,329) / 603 (1,329)	737 (1,625) 739 (1,629) / 739 (1,629)
Centrifugal force	kN (lbs)	75 (16,875)	100 (22,500)
Frequency	Hz (r.p.m.)	67 (4,020)	65 (3,900)
Operating width	mm (in.)	700 (850*) / 28 (34*)	750 (900*) / 30 (35*)
Engine manufacturer		Hatz 1D81Z	Hatz 1D90Z
Engine type		Diesel	Diesel
Engine power output, max.	kW (HP)	10.3 (14.1)	11.2 (15.3)
Power output at operating speed	kW (HP)	9.5 (13.0) at 2,700 rpm	11.0 (15.1) at 3,000 rpm
Working speed	m/min. (ft/m)	0-28 (0-92)	0-28 (0-92)

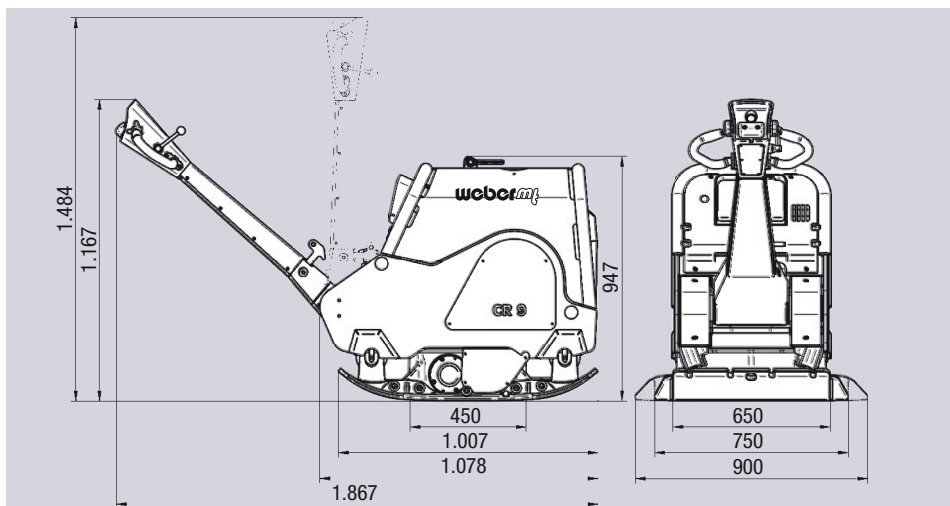
We reserve the right to alter specifications. *With extension plates (optional).



Dimensions in mm.



CR 8



Dimensions in mm.



CR 9